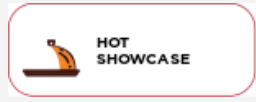


# DISPLAY | Countertop Displays

HOT COUNTERTOP SHOWCASES

# RH 120



## DETAILS



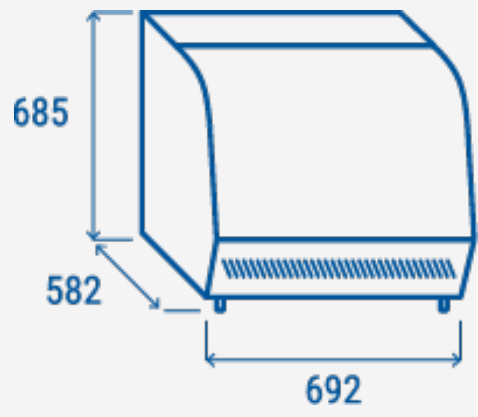
## GENERAL FEATURES

- 120 Lt. Hot countertop showcase
- Curve glass and stainless steel basement
- Tempered glass with transparent frame
- Mechanical thermostat
- Analog thermometer
- Interior LED light
- Rear sliding doors
- Adjustable chromed shelves (N.3 Pcs)
- N.4 fix support assembled under the basement

## TECHNICAL SPECIFICATIONS

|                                  |              |
|----------------------------------|--------------|
| Capacity                         | 120 L        |
| Temperature                      | +30° ~ +90°C |
| Consumption                      | N/A kWh/24h  |
| Rated Power                      | 1100 W       |
| Noise level                      | 15 dB(A)     |
| Net Weight                       | 48 Kg        |
| Gross Weight                     | 55 Kg        |
| External Dimensions (WxDxH mm)   | 692x582x685  |
| Internal Dimensions (WxDxH mm)   | 662x505x430  |
| Packaging dimensions (WxDxH mm)  | 749x627x851  |
| Loading quantities 20'/40'/40'HQ | 81/162/162   |

## PRODUCT DIMENSIONS



## CERTIFICATION

